
Ventus

INSTRUCTION
MANUAL



Dear Customer,

We thank you for your purchase of this machine.

The espresso machine *Ventus* was born from our passion for coffee and for sailing and is also a tribute to the city of Naples, where it has been designed and will be built. Neapolitans, who still loves so much the extraction of espresso by a lever group.

So, the aim was to create a machine to prepare espresso in the most traditional way: the lever extraction, which in the silence of its operation remember the silence of the gait of a sailing boat.

GENERAL RULES

HOW TO USE THE MACHINE

Please read carefully the instruction manual and warranty limitations. The machine must be connected to a regular power outlet provided grounding. The machine must be kept clean by frequently washing the grill, drip tray, filter holder with its filters, the steam wand and outlet holes and emptying the boiler.

WE RECOMMEND:

- 1 to get the best performance, leave the filter underneath the group and keep the porter-filter empty and clean.
- 2 at least once a week decalcify the boiler emptying it by unscrewing the nut at the bottom of the boiler (see pictures in last page).

IMPORTANT SAFETY PRECAUTIONS

Using electrical appliances should always be down as follows security measures.

USING YOUR MACHINE:

- This appliance must be used only for professional and/or domestic use preparing espresso coffee and related drinks. Any other use is considered improper and therefore dangerous.
- Disconnect the power cord from the power when not in use.
- Pay attention to the hot surfaces.
- This machine is designed to "make espresso coffee": Be careful not burn yourself with water or steam or improper use of the machine.
- The device should not be used by children.
- The appliance must be used only by adults with mental and physical capacities.
- Use the device only in a closed areas and protected from weather elements.
- To protect against fire, electric shock or injury do not immerse the power cord, plug and the appliance in water or other liquid.
- Do not use the appliance for purposes other than those provided.
- Do not place the appliance on a gas or electric stove or inside of a hot oven.
- Before unplugging make sure the power button is turned off, otherwise the power light is off.
- Using accessories not recommended by the manufacturer may cause fire, electric shock, or injury to persons.
- Do not let cord hang over edge of table or counter.

INSTALLING THE APPLIANCE

- Read these instructions carefully.
- Never install the machine in an environment that can reach a temperature of less than or equal to 0 °C (if the water freezes, the device may be damaged).
- Check that the main voltage is the same as indicated on the label of the machine. Only connect the machine to an outlet with a minimum of 9 Amp when powered at 230 Vac and 17 Amp at 120 Vac

when powered and equipped with efficient earthing.- In case of incompatibility between the plug and the appliance, replace the socket with another suitable type by a qualified person.

- Place the appliance on a stable work surface.

CLEANING

- Disconnect the power cord when you clean.
- Before unplugging make sure the power button is turned off, or not illuminated.
- Do not expose the device to heavy jets of water or diving partial or total.
- Let the appliance cool before cleaning.
- Clean the body and accessories with a damp cloth and then dry it by a non-abrasive product. Detergents are not recommended.

MALFUNCTION OF THE MACHINE

- Do not use an appliance if the power cord or plug is damaged or if the unit shows signs of malfunctioning or if it has been some damage. Return the appliance to the nearest authorized dealer for checks or repairs.

If the power cord is damaged it must be replaced by the manufacturer or an authorized service center.

- In case of failure or malfunctioning, turn it off and do not tamper with it. For any repairs, contact a Service Centre authorized by the manufacturer and request the use of original spare parts. The non-respect of the content may compromise the safety of the device and void the warranty.

IMPROPER USE OF THE MACHINE

- This device must be used only for professional and/or domestic use. Any other use is considered improper and therefore dangerous.
- The manufacturer cannot be held responsible for any accidents caused by lack of or non-compliance with the laws of the plant grounding.
- The manufacturer cannot be held responsible for any damage caused by improper, incorrect or unreasonable use.

INSTALLATION AND SWITCHING THE APPLIANCE

Before connecting the machine to the power supply, carefully read the safety instructions in the previous chapter.

Make sure that the machine is disconnected from the main power.

Connect the machine electrically.

We recommend keeping always the original packaging to send the machine to the service center for repair

WARNING

When the machine is in operation, the contact with the coffee group, the steam, water tap and the metal part of the filter holder can cause burns.

TURN ON AND OFF

To turn on the machine, press the green button underneath the central control panel of the machine (see pictures in last page). The green light indicates that the machine is powered. The red light is on when element is heating and vice versa.

Turning off the red light next to the manometers also indicates that the machine's boiler has reached its set operating temperature and pressure.

The manometer shows the boiler's pressure level.

The machine is equipped by an electronic water level probe, which will provide to keep the boiler's water level constant while operating.

PROBLEMS AND SOLUTIONS

To turn off the machine, press the button and make sure the green light on the front panel is off, you should not unplug the cord from the power outlet when the machine is on.

COFFEE PREPARATION

VENTUS BASIC OPERATIONAL STEP

HOW TO BREW COFFEE BY A VENTUS

1. Fill up the filter basket with coffee and press it properly.
2. Put the basket underneath the group and pull firmly to the right, making sure that it is in the right position at about 6 hour.
3. Pull the lever down, holding it firmly always in your hand. Wait 6-9 sec. or until the spouts starts to drop.
4. Release the lever slowly up and leave it until the cups has been filled according to you need.

HOW TO RELEASE THE LEVER BEFORE THE EXTRACTION IS ENDED (LEVER REACH THE UPPER POSITION)

1. Hold with one hand the filter holder.
2. With the other hand pull down the lever so that the spout stops to drop
3. Slowly release the filter holder until the remaining pressure will drop down.

DECALCIFICATION

For a proper maintenance, the machine must be descaled periodically. This is according to use and the quality of the water. For a basis descale we recommend to empty once a week the boiler by removing the nut under the boiler.

CLEANING AND MAINTENANCE

For the correct operation and a high standard of quality of the drink is recommended that you regularly and carefully clean the machine.

Operations to be performed with the machine cold and disconnected:

Clean the water tank.

Clean the filter holder and the filter with hot water and detergent (at the end check that the holes in the filter are free).

Cleaning the brew group of any residual powder coffee by brushing gently its bottom.

ADVICES

To enjoy a high quality espresso, remember to:

- Use water with a low calcium content to reduce deposits inside the machine.
- Use pre-warmed cups.

WARNING

- Do not clean the machine with aggressive cleaning agents (methanol, methyl chloride, acetone, aromatic hydrocarbons) they may damage the surfaces
- The cleaning and maintenance of the machine must always be carried out with the plug disconnected from the mains wall socket.

TECHNICAL FEATURES

Frame material	:	304 Stainless steel
Boiler material:		316 Stainless steel
Tank	:	5 liters
Drain solenoid		
Net Weight	:	40 kg
Voltage	:	230 V, 50 Hz (EU), 120 V, 60 Hz (USA)
Power	:	9 Amp (EU); 17 Amp (USA)

The manufacturer reserves the right to make changes or improvements without notice.

WARRANTY LIMITATIONS

The warranty does not cover damage caused by:

- Failures caused by lime or a non-periodic decalcification
- Any failure caused by operation with voltages other than those indicated on the label
- Damage caused by improper use or contrary to the instructions
- Damage caused by changes internally are also not covered by warranty, labor and parts cost on machines previously manipulated by unauthorized service centers that will be totally chargeable to the customer.

Finally:

- Failure to observe these instructions may cause damage to the body not covered by warranty.

Warning:

- We recommend that you keep the original packaging to ship the machine to the service center for repair
- Any damage caused by transport without adequate packaging will not be covered by warranty

**DICHIARAZIONE DI CONFORMITÀ CE - DECLARATION OF CE CONFORMITY
DÉCLARATION DE CONFORMITÉ CE - CE KONFORMITÄT SERKLÄRUNG - DECLARAÇÃO DE
CONFORMIDADE CE
EG CONFORMITEITSVERKLARING - CE-OVERENSSTEMMELSESERKLÆRING**

M & V S.r.l.

Dichiara sotto la propria responsabilità che la macchina in seguito denominata, in base alla sua progettazione, costruzione e per l'utilizzo, è conforme alle disposizioni delle direttive CE in materia di sicurezza e salute.

Declares under its sole responsibility that the following appliance conforms to the CE directive health and safety provisions as regards design, construction and use thereof.

Déclare sous sa propre responsabilité que la machine ci-après spécifiée, sur la base de sa conception, construction et pour l'utilisation prévue est conforme aux dispositions des directives CE en matière de sécurité et de santé.

Erklärt unter eigener Verantwortung, dass die folgend genannte Maschine, in Hinsicht auf die Planung, den Bau und die Verwendung, mit den CE Vorschriften für Sicherheit und Gesundheit übereinstimmt.

Declara bajo su propia responsabilidad que la máquina que se indica más abajo, teniendo en cuenta cómo se ha proyectado, cómo se ha construido y para qué se usará, respeta las disposiciones de las directivas CE en materia de seguridad y salud.

Declara, sob a própria responsabilidade, que a máquina indicada a seguir, em base ao próprio projecto, fabricação e utilização, está em conformidade com as disposições das directivas da CE sobre a segurança e a saúde.

Verklaart onder eigen verantwoordelijkheid dat het volgende toestel, voor wat het ontwerp, de bouw en het gebruik betreft, conform de EG richtlijnen is voor veiligheid en gezondheid.

Erklærer at maskinen, som nævnt herunder, er tilpasset EU-direktiverne for sikkerhed og sundhed på design-, konstruktions- og anvendelsesområdet.

Tipo di macchina - Machine type - Type de machine - Maschinenart - Tipo de máquina - Tipo de máquina - Type toestel - Maskintype

VENTUS

Direttive specifiche - Specific directives - Directives spécifiques - Besondere Vorschriften - Directivas específicas - Directivas específicas - Specifieke richtlijnen - Specifikke direktiver
2002/95/CE (RoHS) 89/336/CEE - 2006/95/CE - 2002/96/CE (Raee)

Norme applicate - Applicable standards - Normes appliquées - Angewandte Vorschriften - Normas aplicadas - Normas aplicadas - Toegepaste normen - Anvendte standarder
EN 61000-3-2 - EN 61000-3-3 - EN 55014-1+A1+A2 - EN 55014-2 + A1 - EN 50366 - EN 60335 -2-15
- EC 1935/2004
EN 61000-4-2+A1+A2 - EN 61000-4-4+A1+A2 - EN 61000-4-5+A1 - EN 61000-4-6+A1 - EN 61000-4-11+A1

.....
Direzione Tecnica - Technical Management - Direction Technique - Technische Leitung
Dirección Técnica - Direcção Técnica - Technische directie - Teknisk ledelse

La presente dichiarazione perde la sua validità se l'apparecchio viene modificato senza la nostra espressa autorizzazione

This declaration shall cease to be valid if the appliance is modified without out explicit authorisation

La présente déclaration perd sa validité si l'appareil est modifié sans notre autorisation expresse

Die folgende Erklärung ist nicht gültig, wenn die Maschine ohne ausdrückliche Genehmigung von illycaffè verändert wird

La presente declaración no tendrá validez si se modifica el aparato sin que nosotros lo hayamos autorizado expresamente

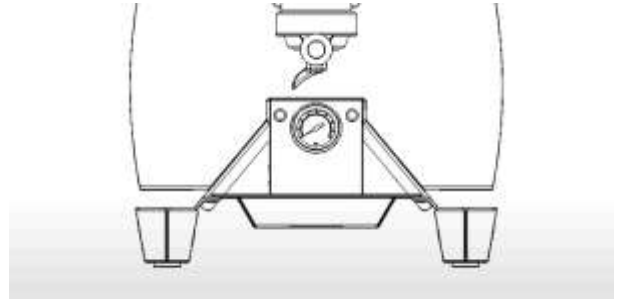
A presente declaração perde a sua validade se o aparelho for modificado sem uma nossa autorização expressa

Deze verklaring is niet meer geldig wanneer er wijzigingen worden uitgevoerd op de machine die niet geautoriseerd werden door

Denne erklæring ophører med at gælde, hvis maskinen ændres uden vores udtrykkelige accept

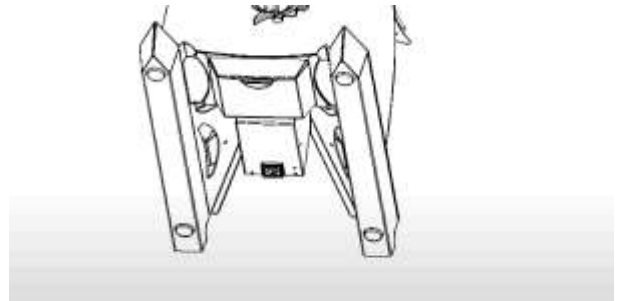
M & V S.r.l.- Via L. Guerra, 9
• 80040 Cercola (NA) Italy

Red light :boiler's element on/off
Green light: machine on/off
Monometer: boiler's pressure



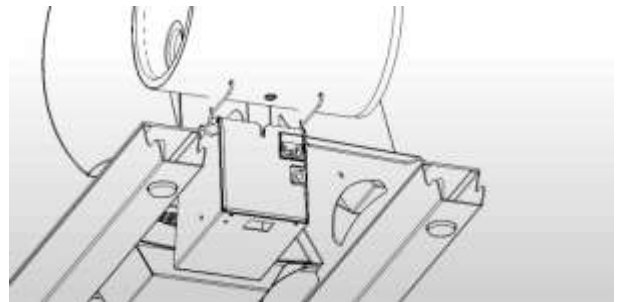
Front Control Pannel

Button: on/off machine



Bottom Control Pannel

Plug: connection to power
Water: in let water connection



Back Control Pannel

